


**Features:**

- Integral IEC Connector
- Rated currents up to 10 A
- Single Pole Single Throw Switch
- High conducted attenuation performance

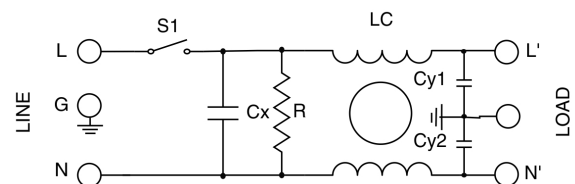
**Applications:**

- Electrical & Electronic Equipments
- Testing & Measurement Equipments

**Performance Indicator**

Standard	High	Very High
█		

**Rated current [A]**

**Typical circuit Diagram**

**DATASHEET**
**SINGLE PHASE EMI FILTER - MF 310S  
IEC INLET WITH SWITCH TYPE**
**Description**

These series range of IEC Inlet type filters with switch are designed to suppress undesirable electrical disturbances in Power Lines. They limit the amplitude of interfering voltages on AC power lines and prevent them from propagating into or out of the filtered equipment.

**Technical Specifications:**

Maximum Continuous Operating Voltage	: 250VAC, 50/60Hz(UL Approval) 250VDC
Operating Frequency	: DC to 400Hz
Current ratings	: 1A to 10A @40°C
High Potential test voltage	: L+N-G 2250VDC for 1 Minute L-N 1450VDC for 1 Minute
Overload Capability	: 135% of Rated current for 15 minutes
Design Corresponding to	: UL 60939-3
Flammability corresponding to	: UL 94 V-0
Temperature range	: -25°C to +85°C
Climatic Category	: 25/85/21

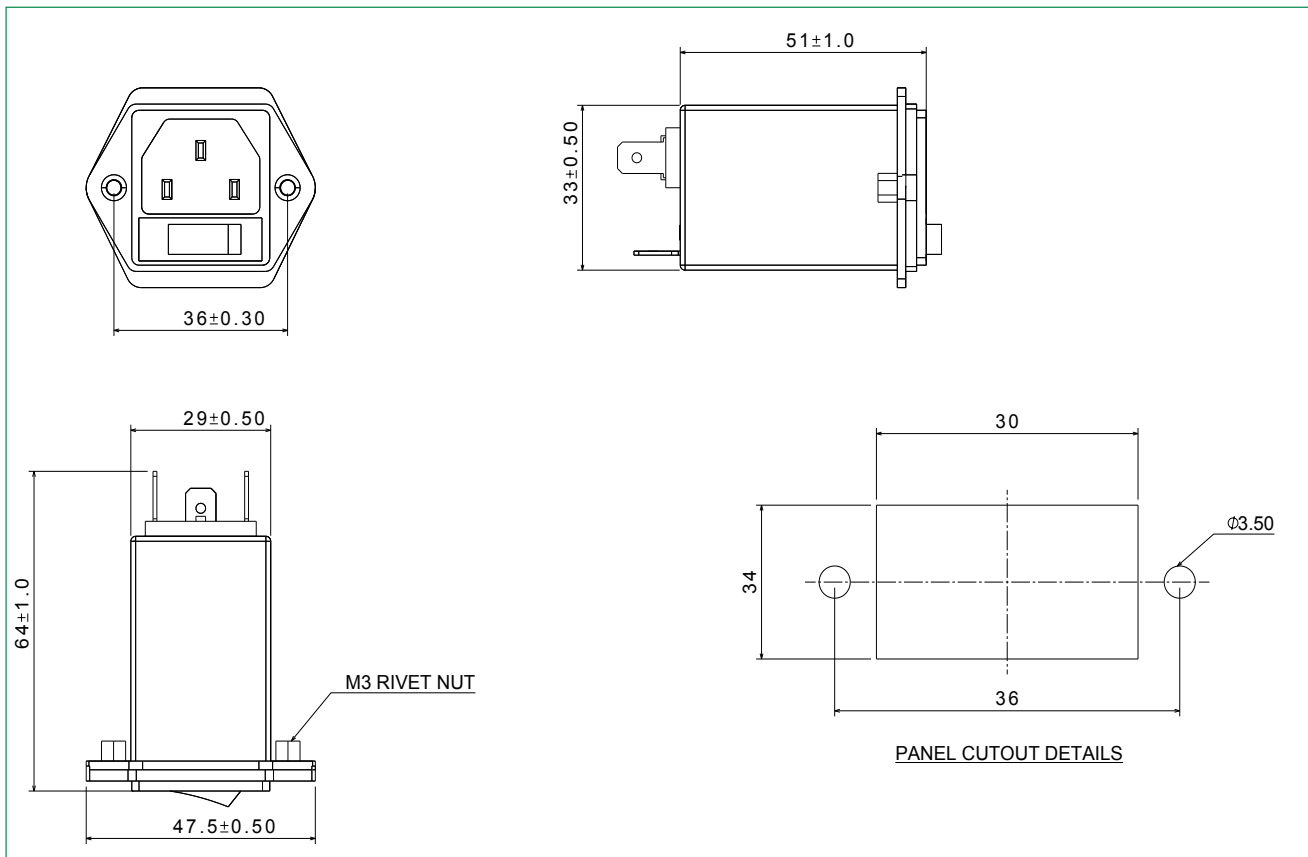
## Ordering Information

Model Number	Part Number	Rated Current @40°C	Leakage Current (mA) @250VAC/50Hz	Termination	Weight (Grams)
MF 310S	E101728-2	1A	0.34	Fastons - 6.3x0.8	65
MF 310S	E101728-3	3A	0.34	Fastons - 6.3x0.8	65
MF 310S	E101728-4	6A	0.34	Fastons - 6.3x0.8	65
MF 310S	E101728-5	10A	0.34	Fastons - 6.3x0.8	65

Customized filters are provided on request

## Mechanical Drawing:

### 1 to 10A Types

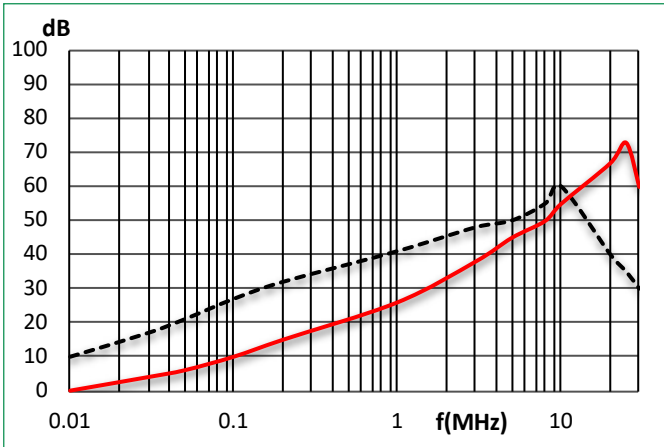


Note: All dimensions in mm; Tolerances according to ISO2768-C

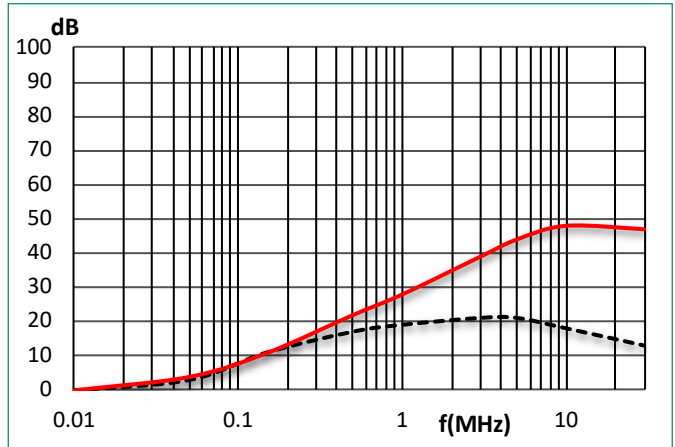
Insertion Loss : ..... Common mode \_\_\_\_\_ Differential Mode

Per CISPR 17; DM=50/50 sym; CM=50/50 asym

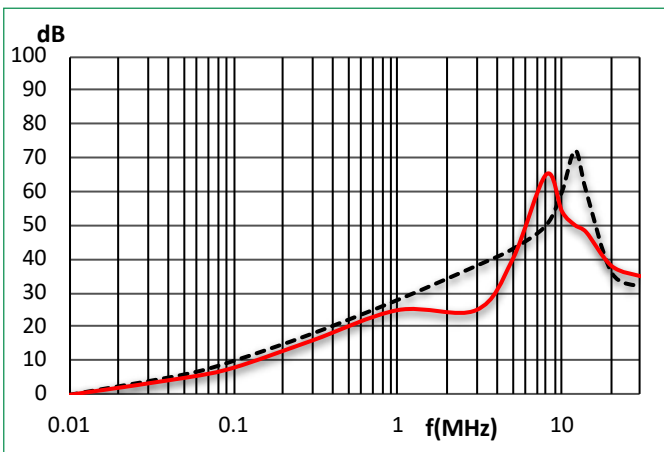
1A



3A



6A



10A

