

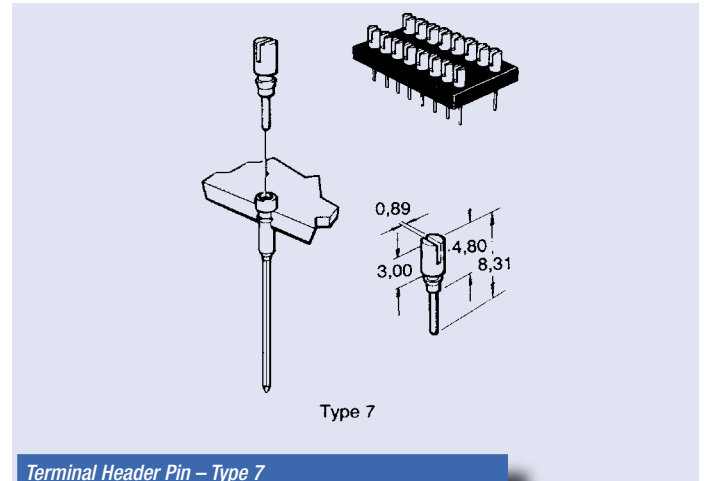
Prototyping board accessories: headers and socket pins

Terminal header pin (Type 7)

May be mounted directly into header board or alternatively plugged into socket pins (66-3472 - type 3) or (66-3505 - type 4).

Terminal Header Pin		Ordering information
Type	Compatible hole Ø pierced/drilled	Order code
7	1,02/1,05	66-3469

Supplied in packets of 100



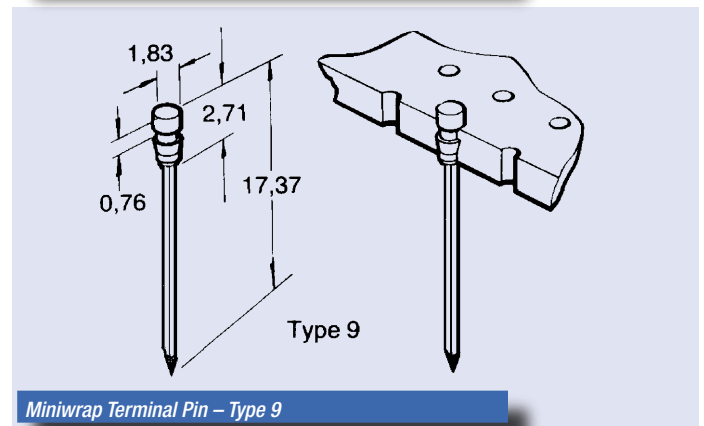
Terminal Header Pin – Type 7

Miniwrap terminal pin (Type 9)

Suitable for use with all types of boards. This pin may be soldered to a copper track or pad to ensure electrical continuity.

Terminal Header Pin		Ordering information
Type	Compatible hole Ø pierced/drilled	Order code
9	1,02/1,05	66-3514

Supplied in packets of 100



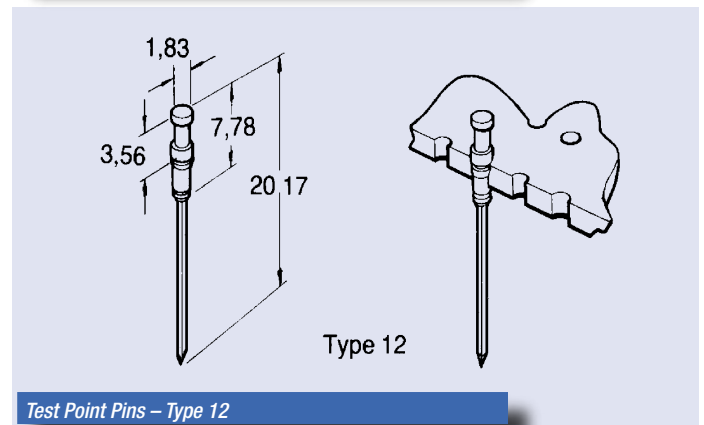
Miniwrap Terminal Pin – Type 9

Test point pins (Type 12)

These pins feature a turreted lug on the component side, guaranteeing a firm connection using a clip-on style test probe.

Test Point Pin		Ordering information
Type	Compatible hole Ø pierced/drilled	Order code
12	1,32/1,40	66-3532

Supplied in packets of 100



Test Point Pins – Type 12